



11371—78

Washers. Specifications

21.060.30
12 8000

01.01.79

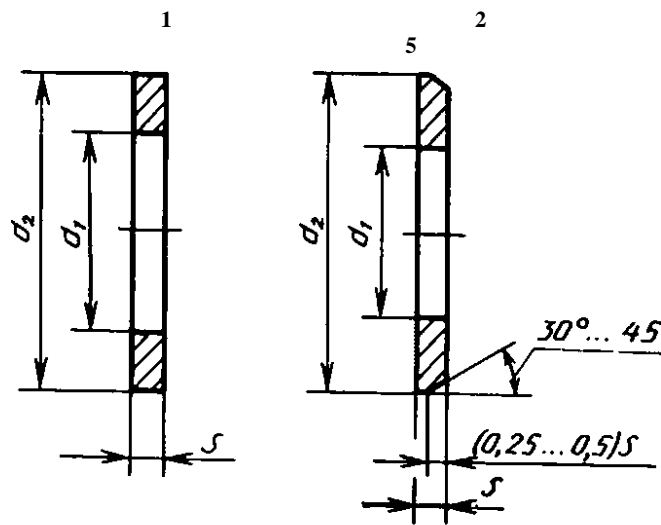
1 48 .
280—89, 281—87.

(, . 1).

1.

1.1.

1—
2—



MM

<i>d</i>	<i>		4	.
1.0	1.2	1.1	3,5	0.3
1.2	1.4	1.3	4,0	
1.4	1.6	1.5		

<i>d</i>				<i>S</i>
1.6	1.8	1.7	4,0	0.3
2.0	2,4	2.2	5.0	
2.5	2.9	2,7	6,0	0.5
3.0	3.4	3,2	7,0	
3,5		3,7	8.0	
4.0	4.5	4.3	9.0	0.8
5.0	5.5	5.3	10.0	1.0
6.0	6.6	6.4	12.0	1.6
8.0	9.0	8.4	16.0	
10.0	.	10.5	20.0	2.0
12.0	13,5	13.0	24.0	2.5
14.0	15.5	15,0	28,0	
16.0	17.5	17.0	30,0	3.0
18.0	20.0	19.0	34.0	
20.0	22.0	21.0	37.0	
22.0	24.0	23,0	39.0	
24.0	26.0	25.0	44.0	4.0
27.0	30.0	28.0	50.0	
30.0	33.0	31.0	56.0	
33.0	—	34.0	60.0	5.0
36.0	39.0	37.0	66.0	
39.0	—	40.0	72,0	6.0
42.0	45.0	43,0	78,0	7.0
48.0	52.0	50,0	92.0	8.0

08 , 12 , , |
6 :
.12.01.08 .0/ 11371-78

2:
2.12.01.08 .01 11371-78

- (, . 3).
1.2. (, . 2).
1.3.
(, . 1).
1.4.
(, . 3).

2.

2.1. — 18123.
 (, . 1).
 2.2. 2.3. (, . 1).
 2.4. — 100 HV. I40HV,
 (, . 3).
 2.5. , — 18160.
 (, . 2).

3.

3.1. — 17769.
 (, . 1).

4.

4.1. — 18123.
 . 5. (, . 2).

	1000 „ , ,		
	1		2
1.0	0.020	0.020	—
1.2	0.026	0.026	—
1.4	0.025	0.025	—
1.6	0.024	0.024	—
2.0	0.036	0.037	—
2.5	0.085	0.088	—
3.0	0.115	0.119	—
3.5	—	0.155	—
4.0	0.299	0.308	—
5.0	0.430	0.443	0.413
6.0	0.990	1.016	0.925
8.0	1.725	1.828	1.706
10.0	3.438	3.571	3.333
12.0	6.066	6.270	5.824
14.0	8.377	8.612	8.089

	1000 , ,		
	1		2
16,0	10.976	11.295	10.491
18,0	13.976	14.697	13.782
20,0	16,361	17.156	16.157
22,0	17,470	18.339	17,285
24,0	31,058	32.315	30,211
27,0	39.438	42.298	39,898
30,0	50,456	53,612	50,917
33,0	—	75,303	70,809
36,0	87.350	92.033	87.078
39,0	—	132,513	124.748
42,0	175.088	182.680	171.256
48,0	283,956	294.013	276,397

, , , , ,
 0,35 — ;
 0,97 — ;
 1,08 — ;
 1,13 — .
 (. . 3>.

.5 11371-78

1.

-

2.

26.06.78 1674

3.

280—89

281—87

4.

:

7089-83,

7090-83,

7091-83

5.

11371-68

6.

-

,

17769-83

18123-82

18160-72

3.1

2.1. 4.1

2.5

7.

,

(5-6—93)

3—93

-

8.

(2-84, 8—88, 8-90)

1, 2, 3,

1983 .,

1988 .,

1990 .